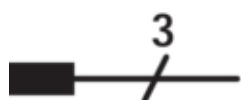
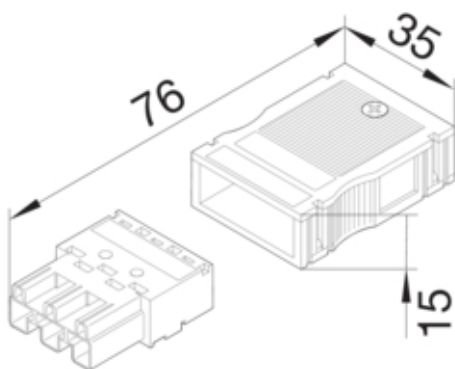




## Conectori iesire racord 3P

G4713



### Arhitectura

|               |        |
|---------------|--------|
| Numar de poli | 2 P    |
| Tipul polilor | L PE N |

### Configuratie

|          |               |
|----------|---------------|
| Executie | Stecar (Plug) |
|----------|---------------|

### Principalele caracteristici electrice

|                   |       |
|-------------------|-------|
| Tensiune nominala | 230 V |
|-------------------|-------|

### Voltaj

|                                      |      |
|--------------------------------------|------|
| Capacitate nominala la supratensiune | 4 kV |
|--------------------------------------|------|

### Curent electric

|                |      |
|----------------|------|
| Curent nominal | 32 A |
|----------------|------|

### Putere

|                  |        |
|------------------|--------|
| Sarcina incendiu | 457 kJ |
|------------------|--------|

### Rezistenta

|                     |      |
|---------------------|------|
| Rezistenta continua | 1 m? |
|---------------------|------|

### Capac, usa

|               |    |
|---------------|----|
| Intercuplabil | nu |
|---------------|----|

### Materiale

|           |                      |
|-----------|----------------------|
| Culoare   | negru                |
| Material  | Amestec de materiale |
| Material  | material mixt        |
| Suprafata | netratat             |

#### Dimensiuni

|          |         |
|----------|---------|
| Lungime  | 76 mm   |
| Înăltime | 15 mm   |
| Latime   | 34,6 mm |

#### Conexiune

|  |                        |
|--|------------------------|
| Sectiune transversala a conductorului (rigid)    | 0,5, 4 mm <sup>2</sup> |
| Sectiune transversala a conductorului (flexibil) | 0,5, 4 mm <sup>2</sup> |
| - cu conexiune cu arc                            |                        |

#### Cablu

|                    |       |
|--------------------|-------|
| Diametrul cablului | 11 mm |
|--------------------|-------|

#### Echipament

|                     |       |
|---------------------|-------|
| Material contact    | Cupru |
| Codificare mecanica | da    |

#### Standarde

|                                    |                        |
|------------------------------------|------------------------|
| Conform directivelor europene RoHS | conformitate voluntara |
|------------------------------------|------------------------|

#### Protectie

|                     |      |
|---------------------|------|
| Grad de protectie   | 3    |
| Tip de protectie IP | IP20 |
| Fara halogen        | da   |